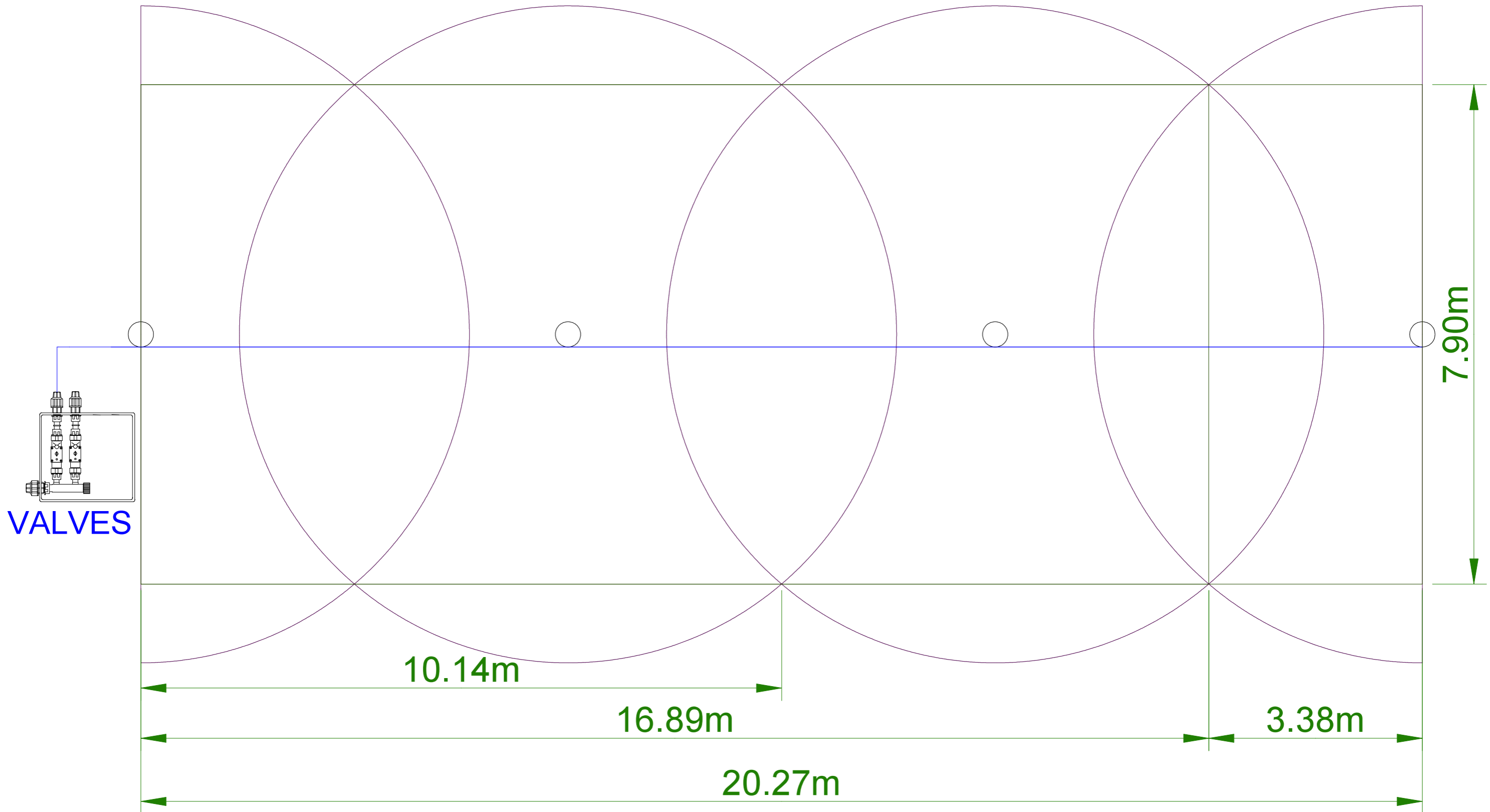




Do not scale off this drawing
All dimensions should be checked on site
E. & O.E.

© ACCESS IRRIGATION LTD

Title: AUTOMATIC GARDEN WATERING SYSTEM SPRINKLER EXAMPLE 1 - SMALL	
Nozzle Used: 0.50 SR	
Scale: 1:60 @ A3	
Rev: 0	
Drawing No: DR009	



Do not scale off this drawing
All dimensions should be checked on site
E. & O.E.

© ACCESS IRRIGATION LTD

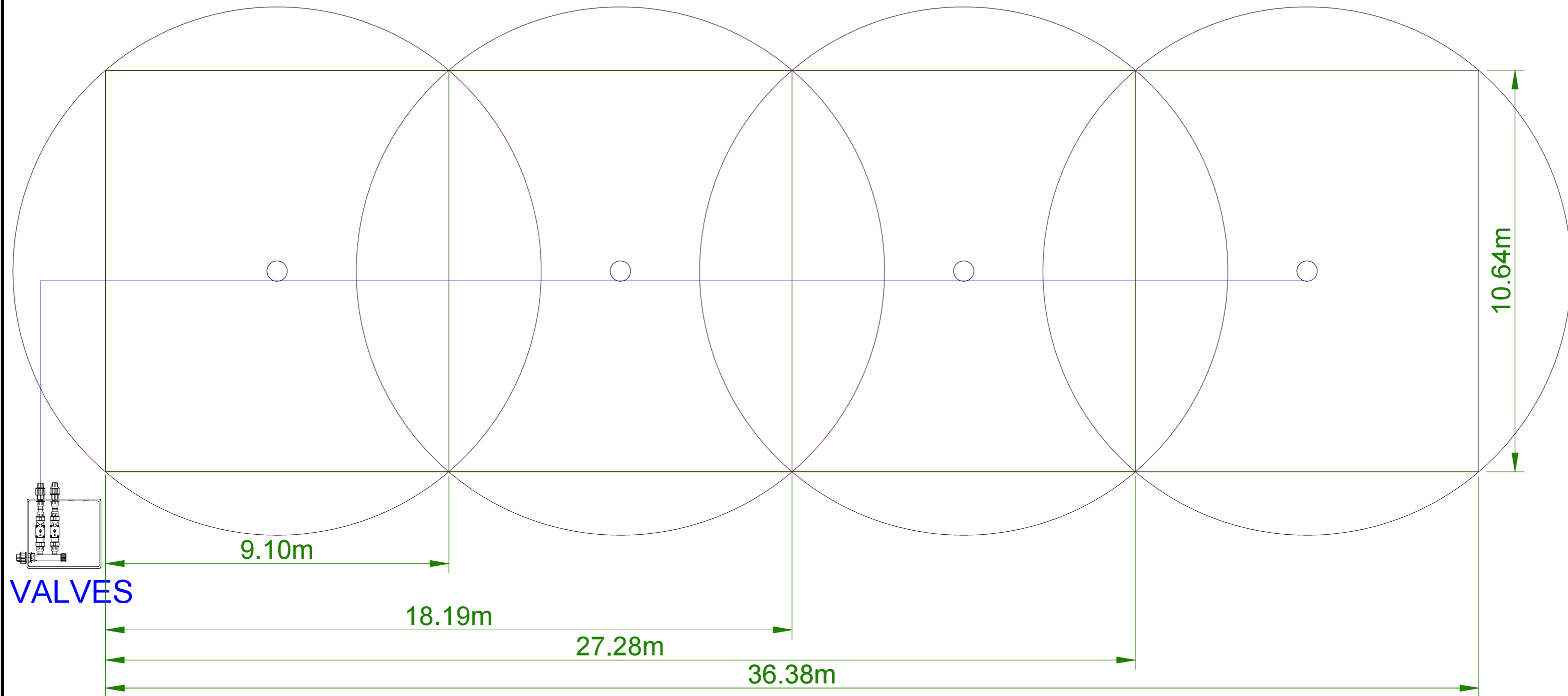
Title: AUTOMATIC GARDEN WATERING SYSTEM
SPRINKLER EXAMPLE 2 - SMALL

Nozzle Used: 0.75 SR

Scale: 1:100 @ A3

Rev: 0

Drawing No: DR010



Title: AUTOMATIC GARDEN WATERING SYSTEM
SPRINKLER EXAMPLE 3 - SMALL

Nozzle Used: 1.5

Scale: 1:140 @ A3

Rev: 0

Drawing No: DR011

